

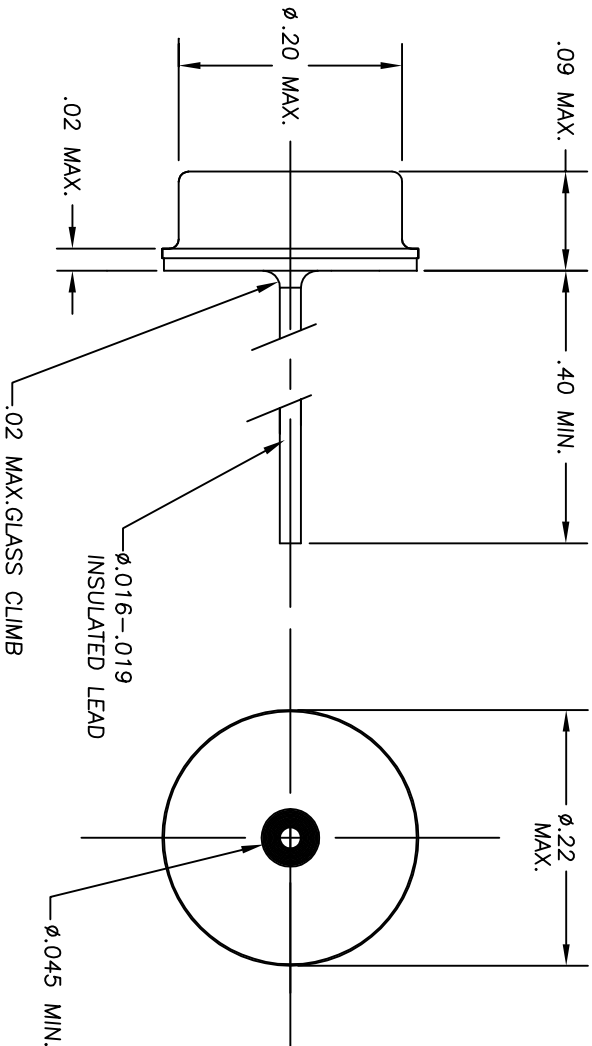
THIS DOCUMENT IS THE PROPERTY OF SELECT CONTROLS INCORPORATED AND IS CONVEYED WITH THE EXPRESS CONDITION THAT IT AND THE INFORMATION CONTAINED IN IT ARE NOT TO BE USED, DISCLOSED, OR REPRODUCED IN WHOLE OR IN PART, FOR ANY PURPOSE WITHOUT THE EXPRESS WRITTEN CONSENT OF SELECT CONTROLS INCORPORATED; AND THAT NO RIGHT IS GRANTED TO DISCLOSE OR SO USE ANY INFORMATION CONTAINED IN SAID DOCUMENT.

NOTE:

1. SWITCH: CRUSH, NORMALLY OPEN, AUTOMATICALLY LATCHED CLOSED
2. WEIGHT: 2 GRAMS MAXIMUM
3. CONTACTS: SPST, NORMALLY OPEN
4. CONTACT RESISTANCE: 10 OHMS MAXIMUM
5. CONTACT RATING: 250MA AT 28VDC
6. INSULATION RESISTANCE: 30 MEGOHMS MINIMUM AT 500VDC
7. OPERATING CHARACTERISTICS: (A)
 - a) SWITCH LATCHED CLOSED UPON CRUSHING OF CAN.
 - b) LATCH CLOSED CONDITION REQUIRES A DISPLACEMENT OF APPROX. 0.018 INCHES USING APPROX. 200 LBS.
8. TEMPERATURE RANGE:
 - a) OPERATING: -65°F TO +185°F
 - b) NON-OPERATING: -65°F TO+221°F
9. SWITCH SEAL: HERMETIC; LEAKAGE SHALL NOT EXCEED 1 X 10⁻⁶ SCCS He AT 1 ATM.
10. LEAD STRENGTH: 3 LBS. MINIMUM AXIAL PULL.
11. SOLDERABILITY: PER MIL-STD-202, METHOD 208.

3064-1-000


REVISIONS				
ALT	DESCRIPTION	BY	CHK	ENG
A	SEE ECN 3064-1-000 A	AHN		
		3/17/14		



PATENT PENDING

MATERIAL	
FINISH	
DO NOT SCALE DRAWING REMOVE BURRS, BREAK SHARP EDGES. TOLERANCE UNLESS SPECIFIED: FRACTION ± DECIMAL ± ANGLES TO ± DEC. ±	
PLANT FINISH: ∇	

TITLE	NO. RECD	NO. N/A	NO. RECD	NO. N/A	SCALE	WEIGHT
SWITCH, CRUSH N.O.-LATCHED CLOSED					10:1	NOTED

BILL OF MATERIAL		DESCRIPTION		REMARKS
 elect controls inc.		45-3 KNICKERBOCKER AVE. BOHEMIA, N.Y. 11716		
DATE	11/19/02	DRAWING NO.	3064-1-000	REV. A
APPROVED		SHEET	1 OF 1	