

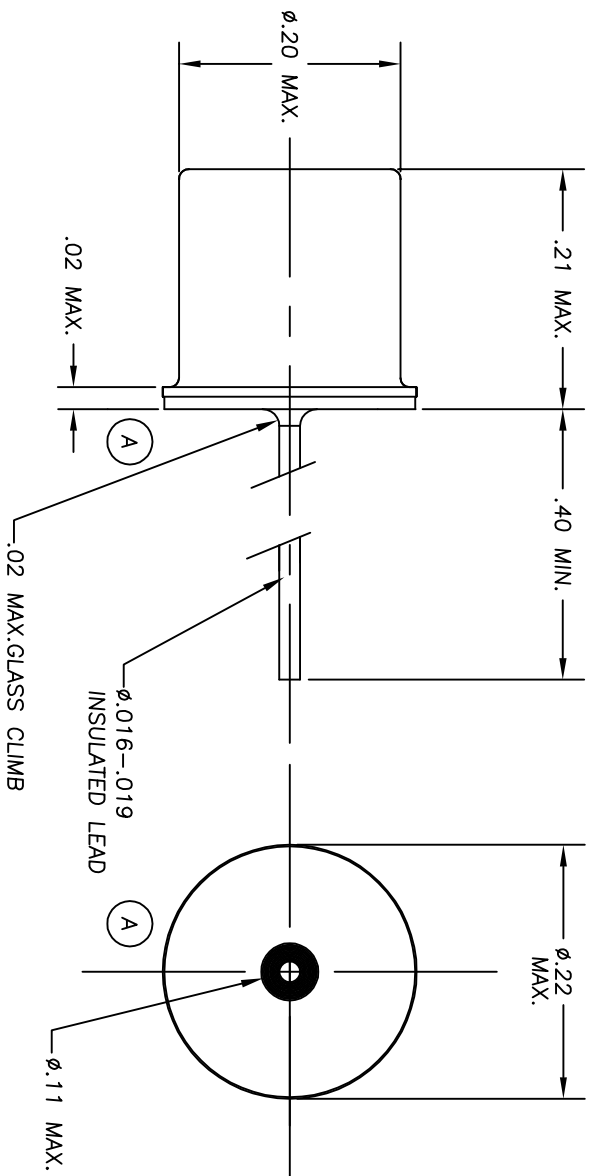
THIS DOCUMENT IS THE PROPERTY OF SELECT CONTROLS INCORPORATED AND IS CONNECTED WITH THE EXPRESS CONDITION THAT IT AND THE INFORMATION CONTAINED IN IT ARE NOT TO BE USED, DISCLOSED, OR REPRODUCED IN WHOLE OR IN PART, FOR ANY PURPOSE WITHOUT THE EXPRESS WRITTEN CONSENT OF SELECT CONTROLS INCORPORATED. AND THAT NO RIGHT IS GRANTED TO DISCLOSE OR SO USE ANY INFORMATION CONTAINED IN SAID DOCUMENT.

NOTE:

1. SWITCH: CRUSH, NORMALLY OPEN, AUTOMATICALLY LATCHED CLOSED
2. WEIGHT: 2 GRAMS MAXIMUM
3. CONTACTS: SPST, NORMALLY OPEN
4. CONTACT RESISTANCE: 10 OHMS MAXIMUM
5. CONTACT RATING: 250MA AT 28VDC
6. INSULATION RESISTANCE: 30 MEGOHMS MINIMUM AT 500VDC
7. OPERATING CHARACTERISTICS: (B)
  - a) SWITCH LATCHED CLOSED UPON CRUSHING OF CAN.
  - b) LATCH CLOSED CONDITION REQUIRES A DISPLACEMENT OF APPROX. 0.033 INCHES USING APPROX. 400 LBS.
8. TEMPERATURE RANGE:
  - a) OPERATING: -65°F TO +185°F
  - b) NON-OPERATING: -65°F TO+221°F
9. SWITCH SEAL: HERMETIC; LEAKAGE SHALL NOT EXCEED 1 X 10<sup>-6</sup> SCCS He AT 1 ATM.
10. LEAD STRENGTH: 3 LBS. MINIMUM AXIAL PULL.
11. SOLDERABILITY: PER MIL-STD-202, METHOD 208.

3062-1-000

REVISIONS			
ALT	DESCRIPTION	BY	CHK ENG
A	SEE ECN 3062-1-000A	AHN 11/19/02	
B	SEE ECN 3062-1-000 B	AHN 3/17/14	



PATENT PENDING

ITEM NO.	REV	QTY	PART NO.	DESCRIPTION	REMARKS
TITLE: SWITCH, CRUSH N.O.-LATCHED CLOSED					
BILL OF MATERIAL					
350 I CENTRAL AVE. BOHEMIA, N.Y. 11716					
NO. REV'D	N/A	NO. REV'D	N/A	SCALE: 10:1	WEIGHT: NOTED
DO NOT SCALE DRAWING				REVISIONS CHECKED APPROVED	
REMOVE EDGES, BREAK SHARP EDGES, FINISH UNLESS SPECIFIED				DATE: 11/98	
MACH FINISH: $\checkmark$ DEC: 00 $\pm$ RMS				DRAWING NO. 3062-1-000	
				SHEET SHEET OF SHEETS	
				REV B	