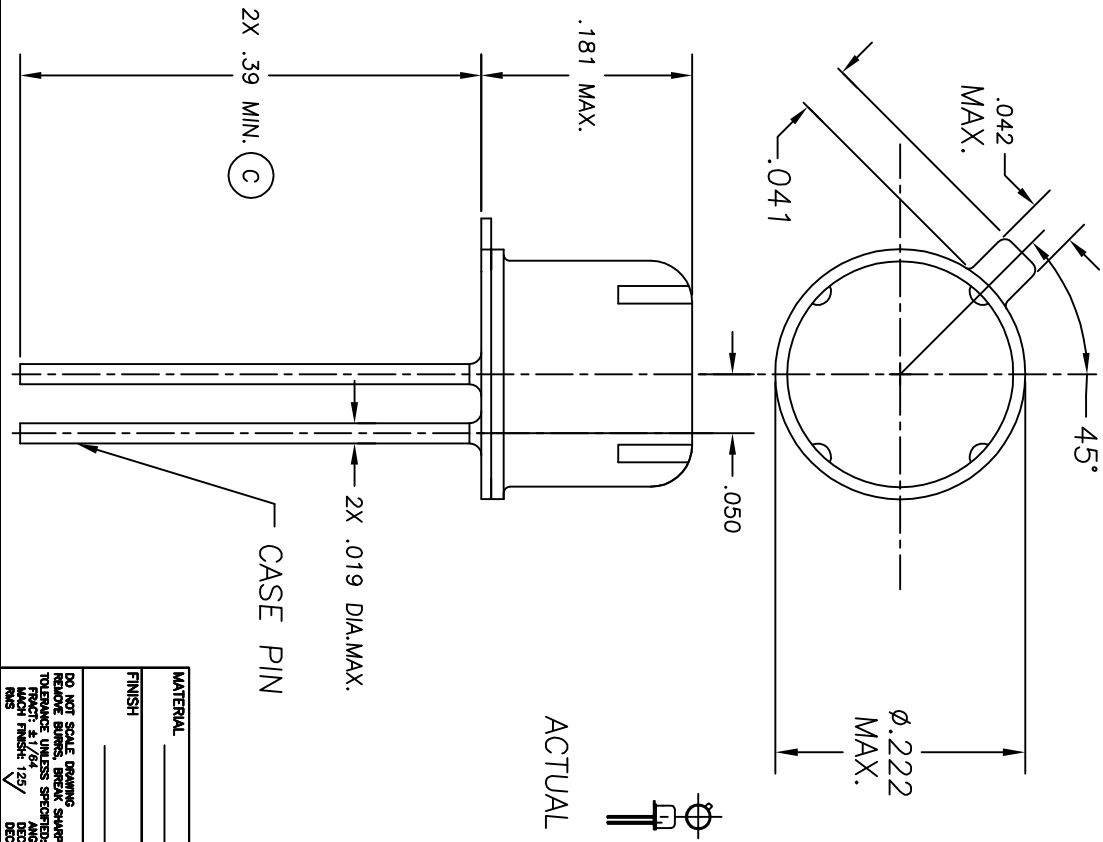


THIS DOCUMENT IS THE PROPERTY OF SELECT CONTROLS INCORPORATED AND IS CONVERTED WITH THE EXPRESS CON-
 DITION THAT IT AND THE INFORMATION CONTAINED IN IT
 ARE NOT TO BE USED, DISCLOSED, OR REPRODUCED IN
 WHOLE OR IN PART, FOR ANY PURPOSE WITHOUT THE EX-
 PRESS WRITTEN CONSENT OF SELECT CONTROLS INCORP-
 ORATED; AND THAT NO RIGHT IS GRANTED TO DISCLOSE OR
 SO USE ANY INFORMATION CONTAINED IN SAID DOCUMENT.



2088-DASH-000
 NO.

REVISIONS			
ALT	DESCRIPTION	BY	CHK ENG
A	REDRAWN, SEE ECN2088-1-000A	HJ	
B	SEE ECN2088-DASH NO.-000B	AHN 5/29/10	
C	SEE ECN2088-DASH NO.-000C	AHN 6/4/13	

- NOTE:
1. SWITCH TYPE: SPST, NORMALLY OPEN, MOMENTARY CONTACT, CASE GROUND.
 2. INSULATION RESISTANCE: 400 MEGOHMS MIN. BETWEEN LEADS AT 100 VDC FOR MIN. OF 5 SEC.
 3. SWITCH FUNCTION: THE SWITCH SHALL FUNCTION AT SOME INSTANCE WHEN IT IS MOVED A MAX. OF 3 (THREE) TIMES THROUGH AN ANGLE OF 60° (30° FROM BOTH SIDES OF VERTICAL).
 4. WEIGHT: 0.6 GRAMS MAX.
 5. SEAL: HERMETIC-LEAK RATE SHALL NOT EXCEED 1 X 10⁻⁶ SCCS HELIUM.
 6. CONTACT RATING: 20 MILLIAMPERES AT 9 VDC RESISTIVE LOAD.
 7. RANDOM DISTURBANCES (MOTION) IN THE X-Y PLANE CAUSE MOMENTARY SWITCH CLOSURE.

DASH NO.	SENSITIVITY
1	SENSITIVE
2	MORE SENSITIVE
3	VERY SENSITIVE

REV#	DATE	PART NO.	DESCRIPTION	REMARKS

BILL OF MATERIAL

TITLE	MATERIAL
DISTURBANCE SWITCH	

DO NOT SCALE DRAWING
 REMOVE BURRS, BREAK SHARP EDGES.
 TOLERANCE UNLESS SPECIFIED:
 FRACTIONS ±.005
 DECIMALS ±.010
 ANGLES ±.125°
 DIMS DEC: .000 ±.005

Select Controls Inc.
 45-3 KNICKERBOCKER AVE.
 BOHEMIA, N.Y. 11716

DATE: 3/92
 DRAWING NO.: 2088-DASH-000
 SHEET 1 OF 1