

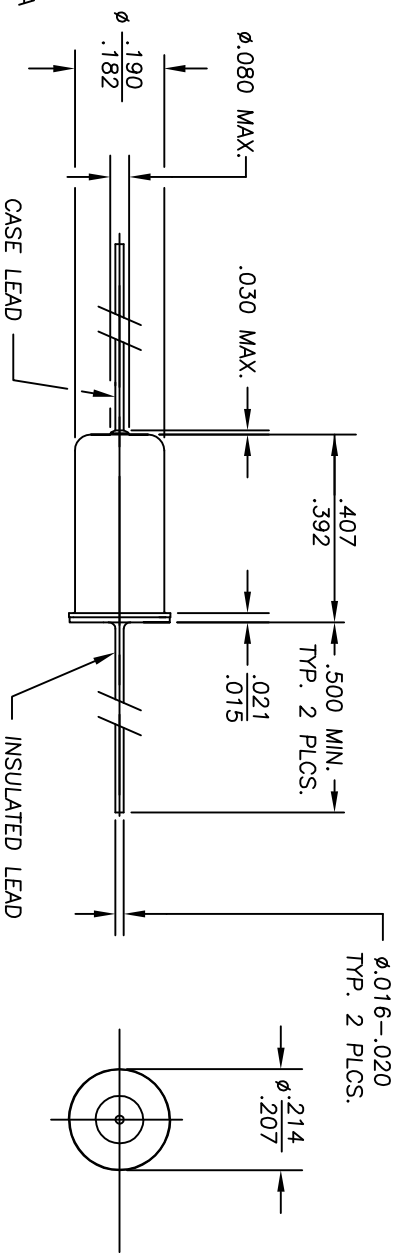
THIS DOCUMENT IS THE PROPERTY OF SELECT CONTROLS INCORPORATED AND IS CONVEYED WITH THE EXPRESS CONDITION THAT IT AND THE INFORMATION CONTAINED IN IT ARE NOT TO BE USED, DISCLOSED, OR REPRODUCED IN WHOLE OR IN PART, FOR ANY PURPOSE WITHOUT THE EXPRESS WRITTEN CONSENT OF SELECT CONTROLS INCORPORATED; AND THAT NO RIGHT IS GRANTED TO DISCLOSE OR SO USE ANY INFORMATION CONTAINED IN SAID DOCUMENT.

NOTES:

1. SWITCH: UNIDIRECTIONAL, NORMALLY OPEN, AUTOMATICALLY RESETTABLE
2. WEIGHT: 2 GRAMS MAXIMUM
3. CONTACTS: SPST, NORMALLY OPEN
4. CONTACT RESISTANCE: 50 OHMS MAXIMUM
5. CONTACT RATING: 50 MA AT 12VDC
6. INSULATION RESISTANCE: 30 MEGOHMS MINIMUM AT 500 VDC
7. OPERATING CHARACTERISTICS: (A) CONTACTS MUST CLOSE WHEN SUBJECTED TO A STEADY STATE ACCELERATION OF, 8.5G'S +/-1.5G
8. TEMPERATURE RANGE:
 - a) OPERATING: -54°F TO +257°F
 - b) NON-OPERATING: -65°F TO +257°F
9. SHOCK TEST: HALF SINE SHOCK EVENT, 80 G PEAK ACCELERATION FOR 11MS DURATION, 6 SHOCKS POSITIVE AND 6 SHOCKS NEGATIVE
10. DROP TEST: WITHSTAND 1 METER DROP 3 TIMES EACH AXIS
11. SWITCH SEAL: HERMETIC; PER MIL-STD-750C,
12. LEAD STRENGTH: 3 LBS. MINIMUM AXIAL PULL

3158-1-000

REVISIONS		ALT	DESCRIPTION	BY	CHK	ENG
A	SEE ECN 3158-1-000A			AHN		
				12/28/16		



1. SWITCH: UNIDIRECTIONAL, NORMALLY OPEN, AUTOMATICALLY RESETTABLE
2. WEIGHT: 2 GRAMS MAXIMUM
3. CONTACTS: SPST, NORMALLY OPEN
4. CONTACT RESISTANCE: 50 OHMS MAXIMUM
5. CONTACT RATING: 50 MA AT 12VDC
6. INSULATION RESISTANCE: 30 MEGOHMS MINIMUM AT 500 VDC
7. OPERATING CHARACTERISTICS: (A) CONTACTS MUST CLOSE WHEN SUBJECTED TO A STEADY STATE ACCELERATION OF, 8.5G'S +/-1.5G
8. TEMPERATURE RANGE:
 - a) OPERATING: -54°F TO +257°F
 - b) NON-OPERATING: -65°F TO +257°F
9. SHOCK TEST: HALF SINE SHOCK EVENT, 80 G PEAK ACCELERATION FOR 11MS DURATION, 6 SHOCKS POSITIVE AND 6 SHOCKS NEGATIVE
10. DROP TEST: WITHSTAND 1 METER DROP 3 TIMES EACH AXIS
11. SWITCH SEAL: HERMETIC; PER MIL-STD-750C,
12. LEAD STRENGTH: 3 LBS. MINIMUM AXIAL PULL

QTY	ASSEMBLY	PART NO.	DESCRIPTION	REMARKS
			45-3 KNICKERBOCKER AVE. BOHEMIA, N.Y. 11716	

TITLE		SCALE		DATE		DRAWING NO.		REV
ACCELERATION SWITCH NORMALLY OPEN		4:1		11/16/07		3158-1-000		A

NO. REV'D	N/A	NO. REV'D	N/A	SCALE	DATE	APPROVED	DATE	SHEET	OF
				4:1				1	1

DO NOT SCALE DRAWING	SHARP EDGES.	ANGLE 3.0°-30°	DEC. .005 & .010	DEC. .000 & .005
FINISH				