

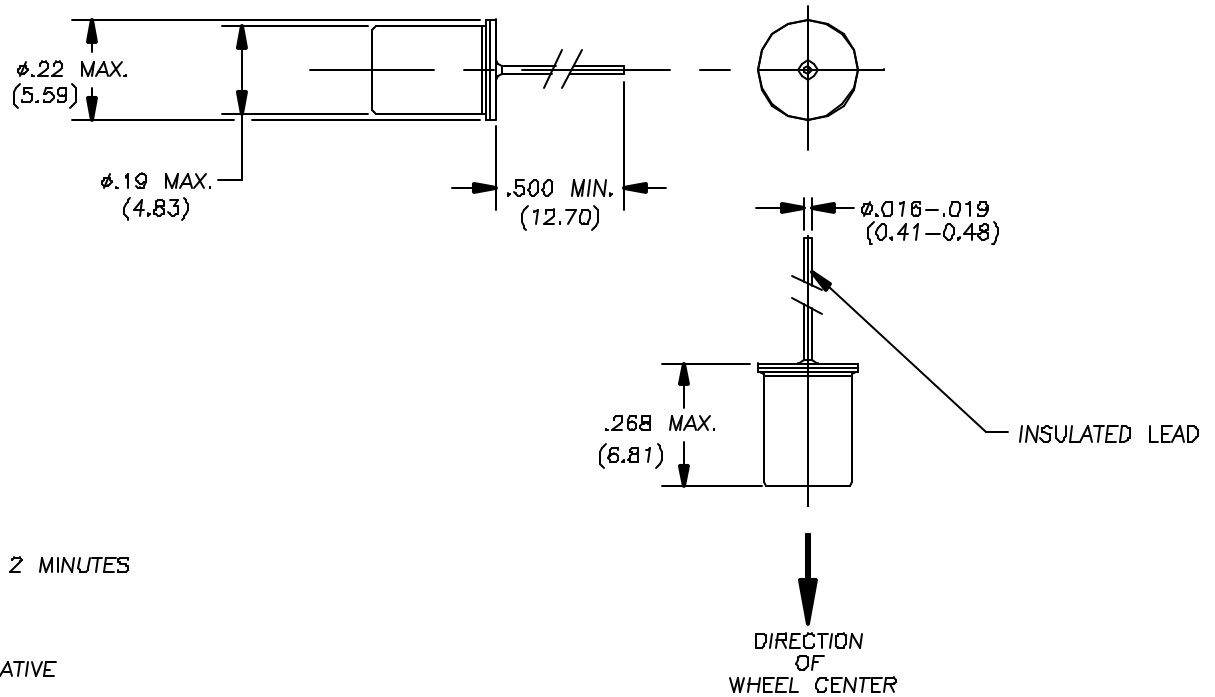
THIS DOCUMENT IS THE PROPERTY OF SELECT CONTROLS INCORPORATED AND IS CONVEYED WITH THE EXPRESS CONDITION THAT IT AND THE INFORMATION CONTAINED IN IT ARE NOT TO BE USED, DISCLOSED, OR REPRODUCED IN WHOLE OR IN PART, FOR ANY PURPOSE WITHOUT THE EXPRESS WRITTEN CONSENT OF SELECT CONTROLS INCORPORATED; AND THAT NO RIGHT IS GRANTED TO DISCLOSE OR SO USE ANY INFORMATION CONTAINED IN SAID DOCUMENT.


NOTE:

1. SWITCH: UNIDIRECTIONAL, NORMALLY OPEN, AUTOMATICALLY RESETTABLE
2. WEIGHT: 2 GRAMS MAXIMUM
3. CONTACTS: SPST, NORMALLY OPEN
4. CONTACT RESISTANCE: 50 OHMS MAXIMUM
5. CONTACT RATING: 50MA AT 12VDC
6. INSULATION RESISTANCE: 30 MEGOHMS MINIMUM AT 500VDC
7. OPERATING CHARACTERISTICS:
 - a) CONTACTS SHALL BE OPEN AT STEADY STATE ACCELERATIONS OF 8.0 G'S OR LESS
 - b) CONTACTS SHALL BE CLOSED AT STEADY STATE ACCELERATIONS OF 12.0 G'S OR MORE
8. TEMPERATURE RANGE:
 - a) OPERATING: -40°C TO +150°C
 - b) NON-OPERATING: -54°C TO +200°C
 - c) NON-OPERATING FLOW SOLDERING: +320°C FOR 2 MINUTES
9. SHOCK TEST: HALF SINE SHOCK EVENT, 80 G PEAK ACCELERATION FOR 11MS DURATION, 6 SHOCKS POSITIVE AND 6 SHOCKS NEGATIVE
10. DROP TEST: WITHSTAND 1 METER DROP 3 TIMES EACH AXIS
11. SWITCH SEAL: HERMETIC; PER MIL-STD-750C, TEST CONDITION D
12. LEAD STRENGTH: 3 LBS. MINIMUM AXIAL PULL

3155-1-000

REVISIONS				
ALT	DESCRIPTION	BY	CHK	ENG



(X.XX) DENOTES DIMENSIONS IN MILLIMETERS	ITEM	NO. REV'D	PART NO.	DESCRIPTION	REMARKS
	BILL OF MATERIAL				
MATERIAL	TITLE		45-3 KNICKERBOCKER AVE. BOHEMIA, N.Y. 11716		
FINISH	ACCELERATION SWITCH NORMALLY OPEN 10.0 G				
DO NOT SCALE DRAWING REMOVE BURRS, BREAK SHARP EDGES TOLERANCES UNLESS SPECIFIED: FRACT: ±1/64 ANGLE: ±0.30° MACH FINISH: 125/ RFB DEC: .00 ±.01 DEC: .000 ±.005	NO. REV'D	N/A	NO. REV'D	N/A	SCALE: 1:1
				WEIGHT: NOTED	DATE: 8/25/04
				APPROVED: AHN	DRAWING NO. 3155-1-000
				DATE	SHEET 1 OF 1